



baby lock[®]

Quest[™]



***Quick
Reference
Guide***

Model BLQ2

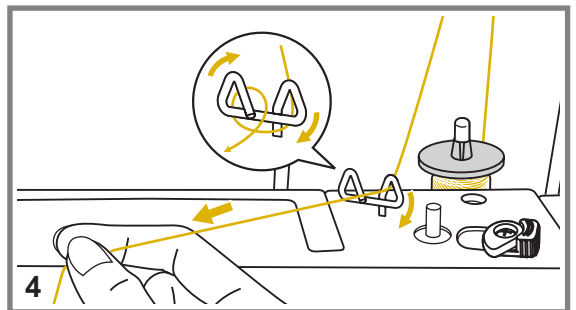
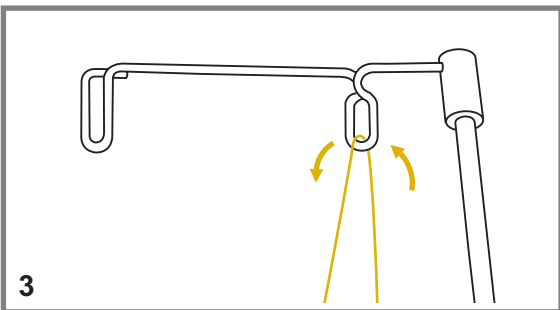
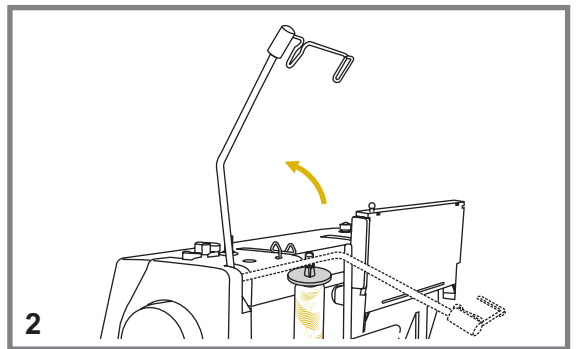
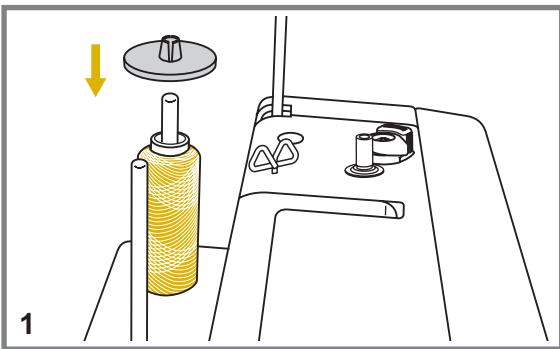
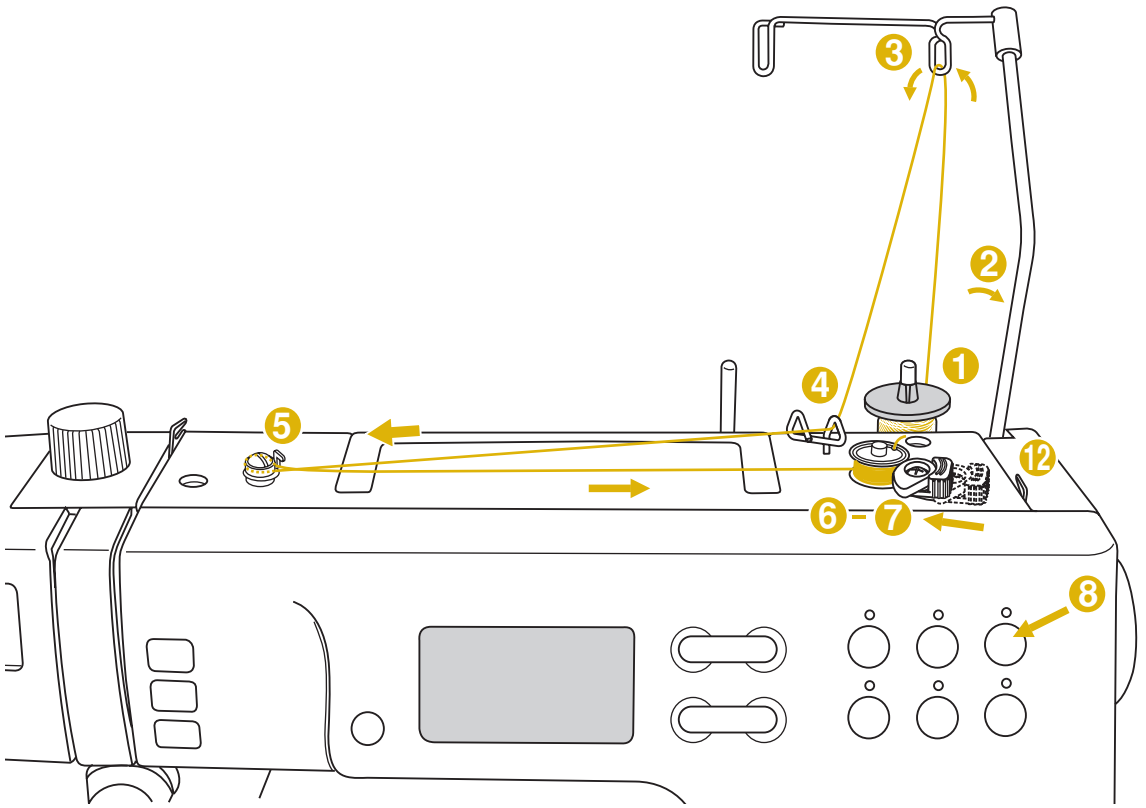
Baby Lock Consumer Helpline: 800-313-4110
www.babylock.com

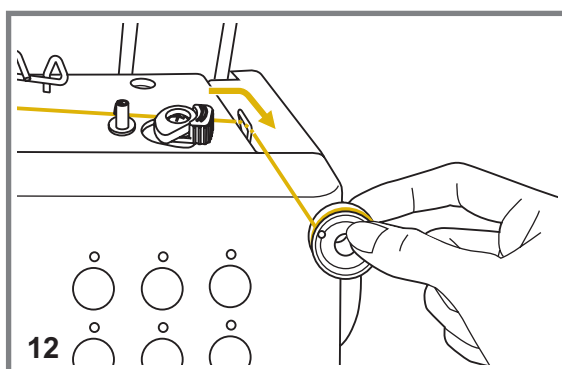
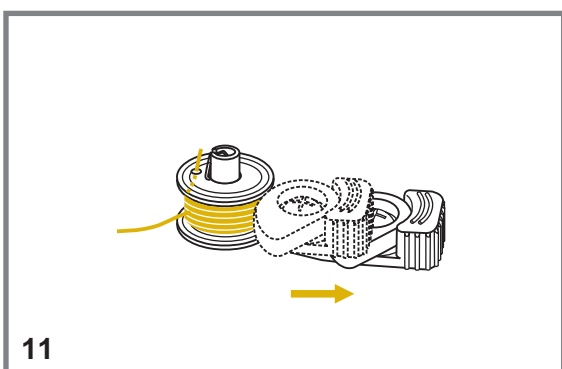
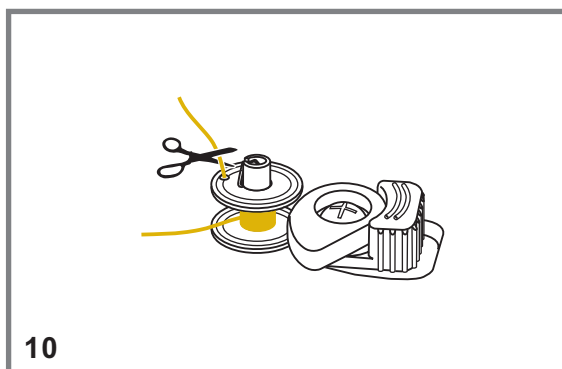
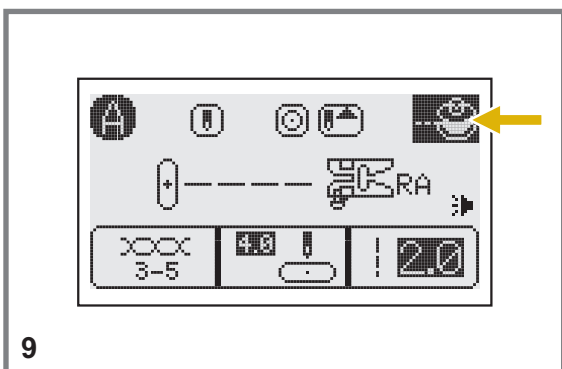
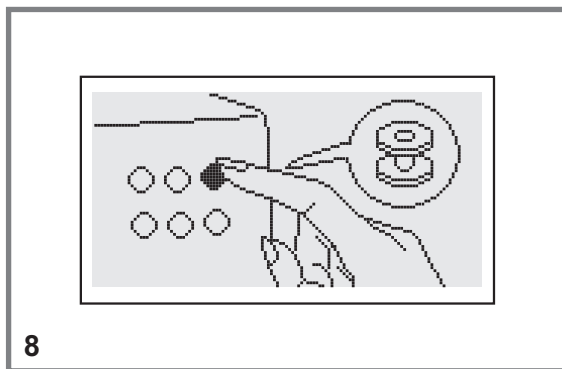
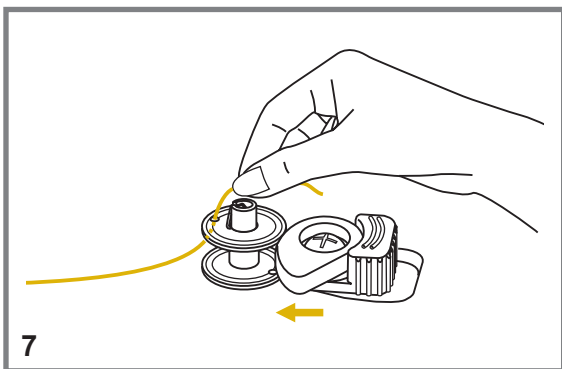
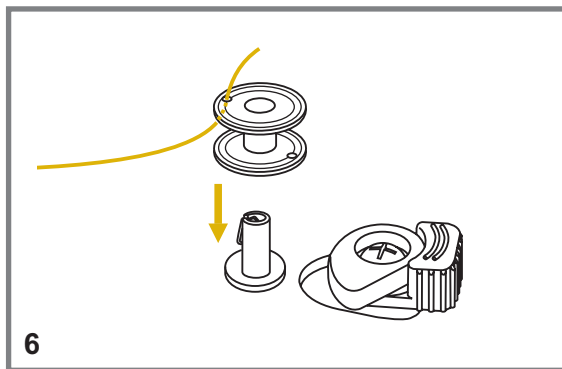
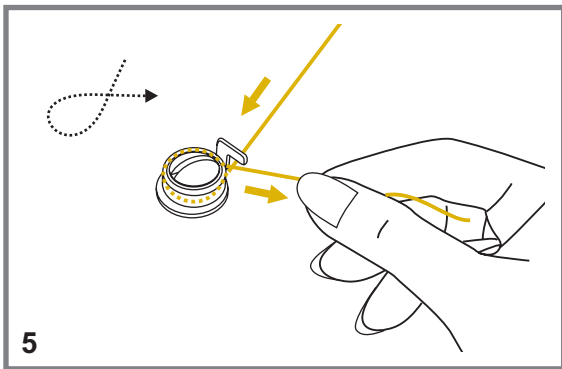
Refer to the instruction and reference guide for detailed instructions.

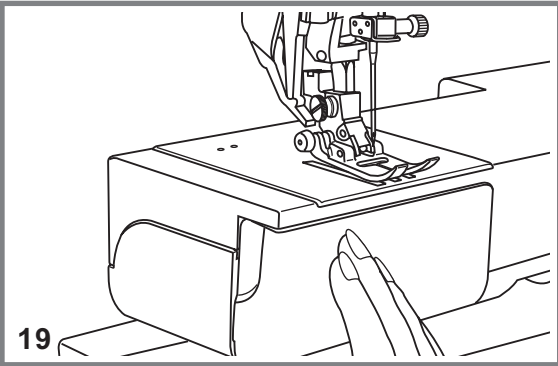
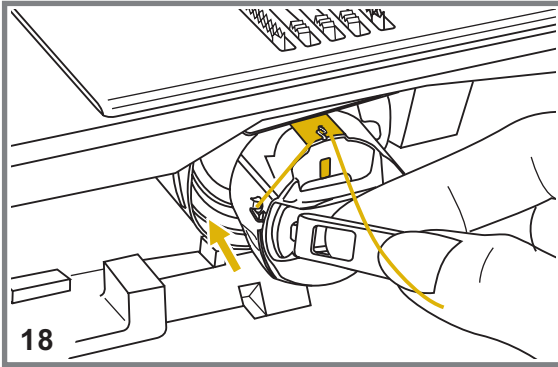
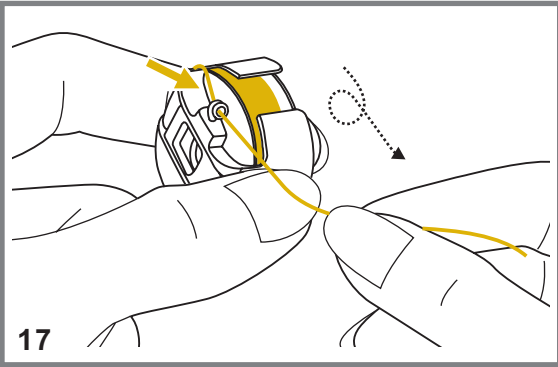
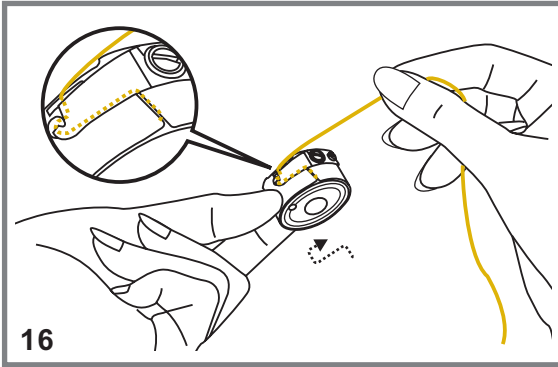
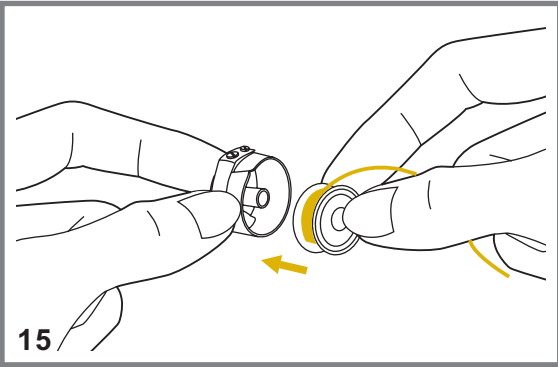
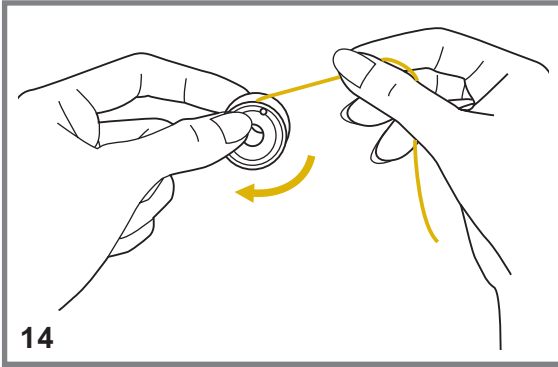
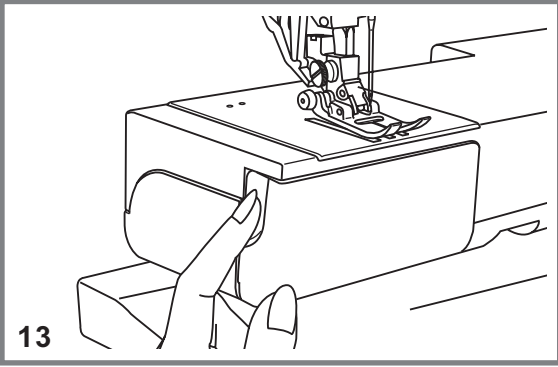
CONTENTS

Winding and inserting the bobbin	2-4
Upper threading	5-6
Selection buttons	7
Memory function.....	8-12
Save pattern's memo.....	13
Summary of stitch patterns	14-15
Group 1-A Patterns (Direct Patterns) -10	14
Group 2-B Patterns-93	14
Group 3-C Patterns-25	14
Group 4-D Patterns-79	15
Block style group "  " patterns-78	15
Script style group "  " patterns-78	15

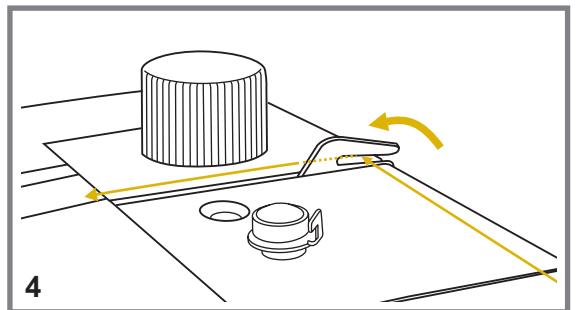
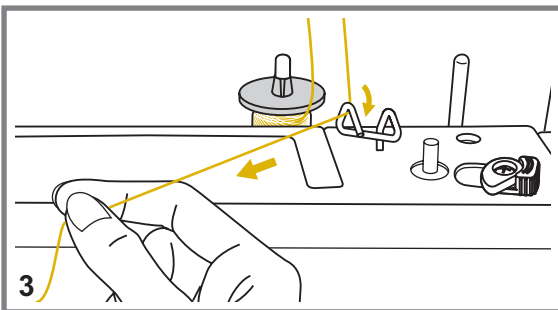
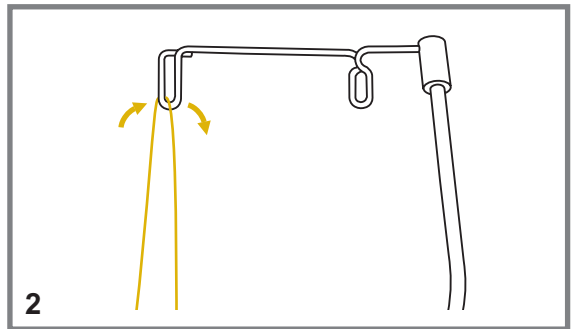
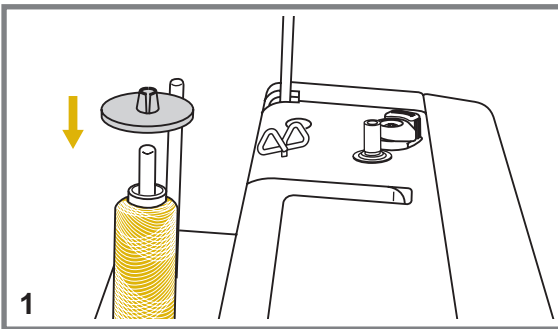
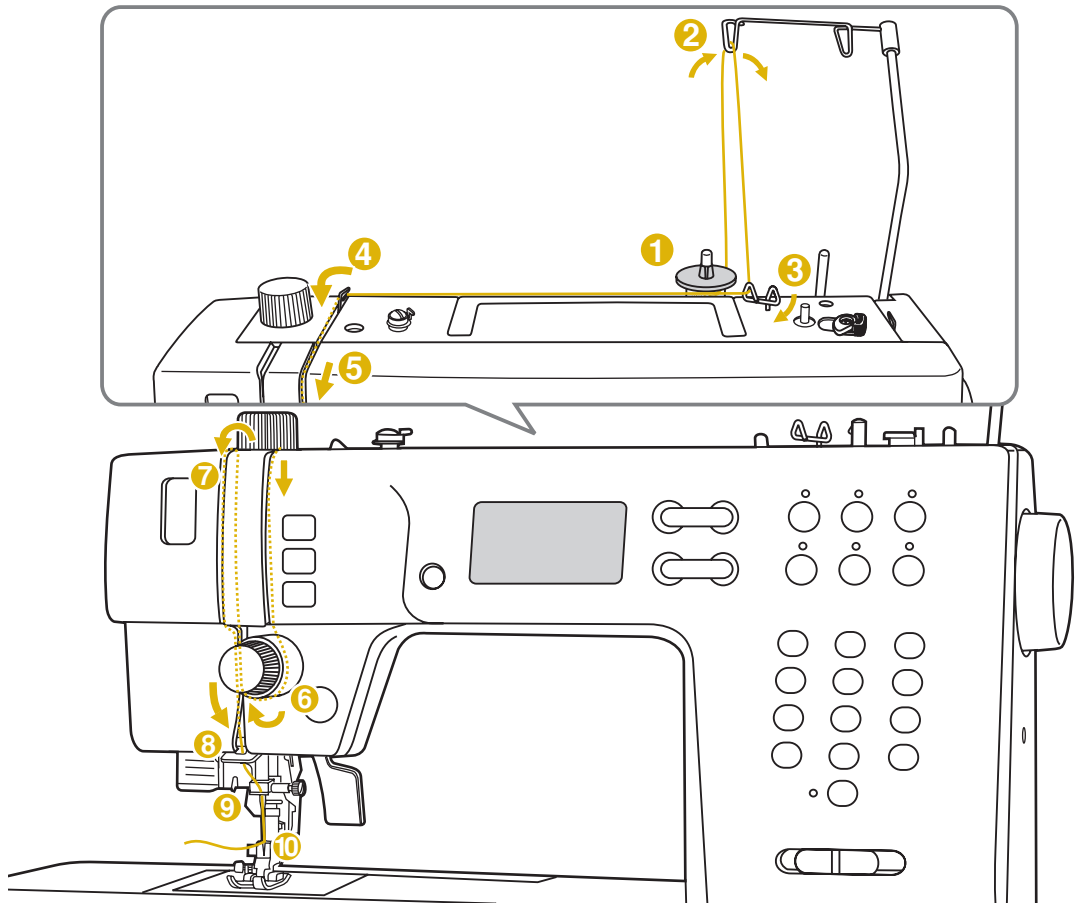
WINDING AND INSERTING THE BOBBIN

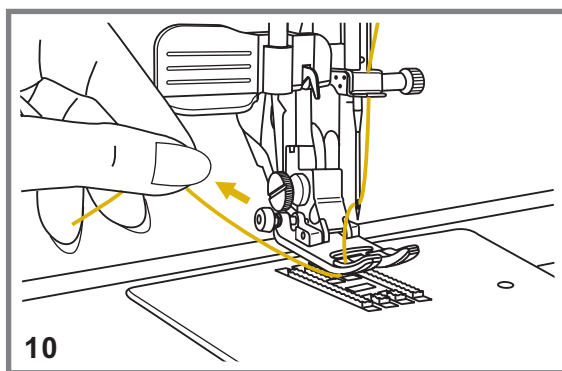
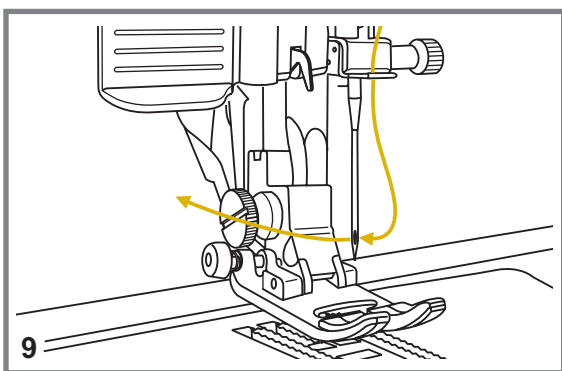
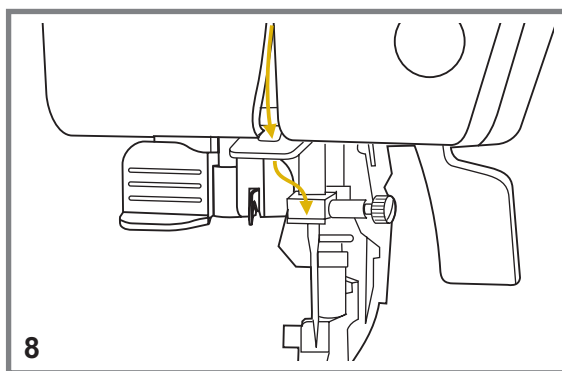
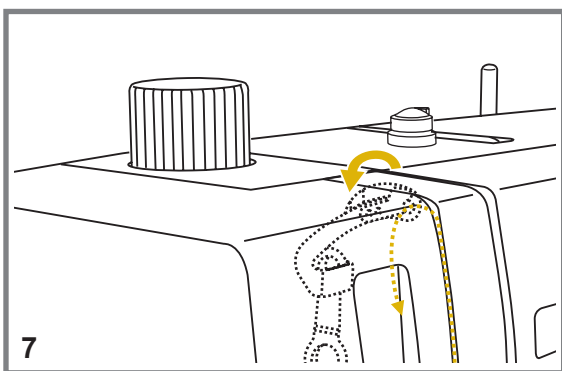
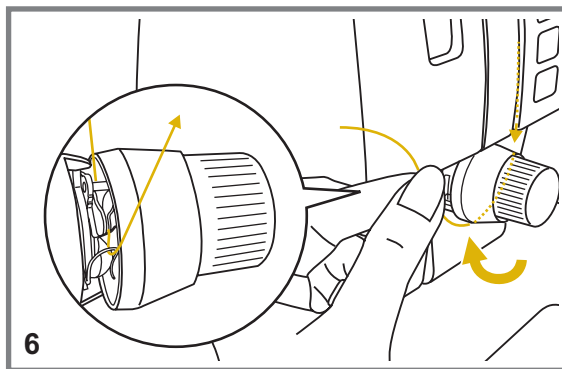
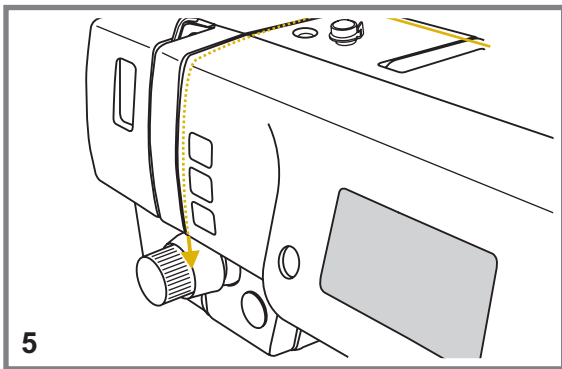






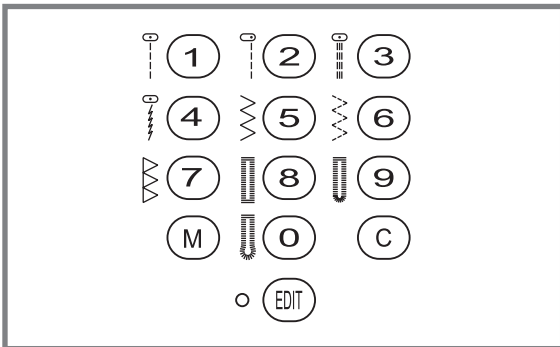
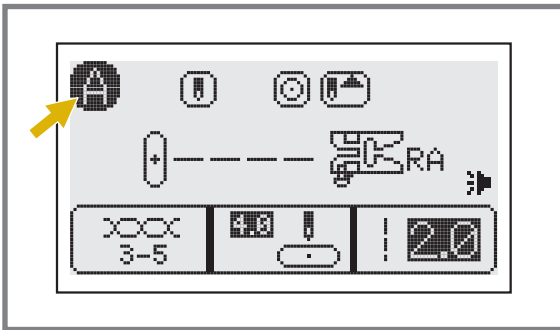
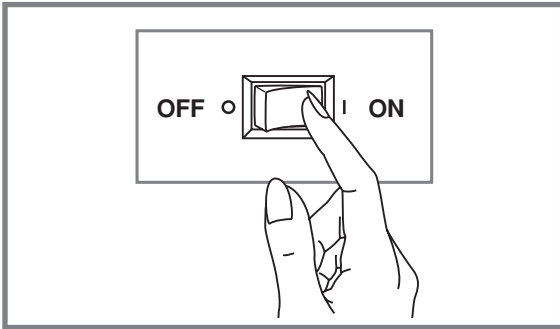
UPPER THREADING





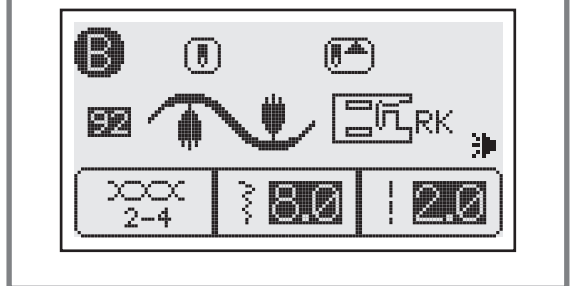
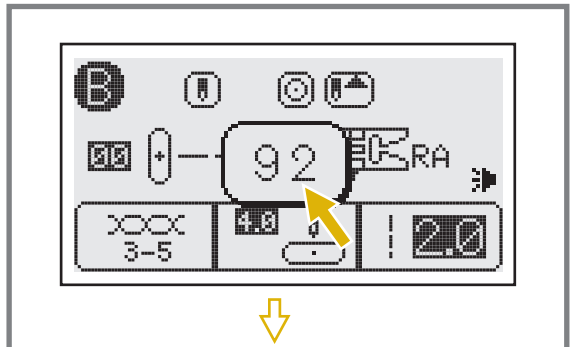
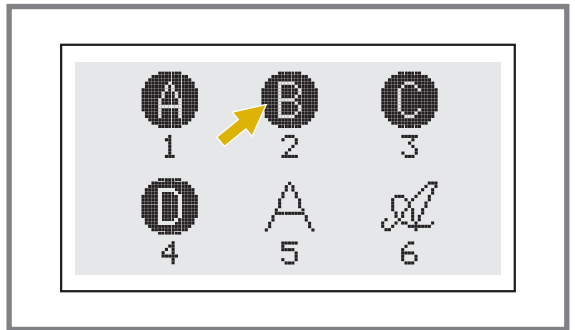
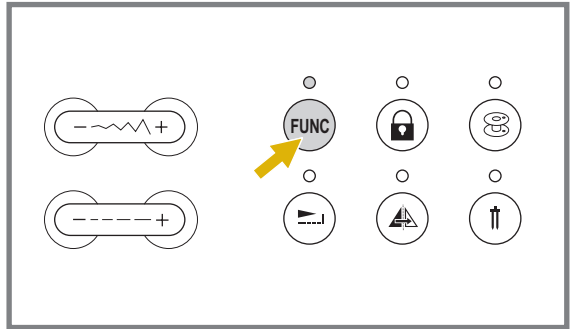
SELECTION BUTTONS

■ Direct pattern selection



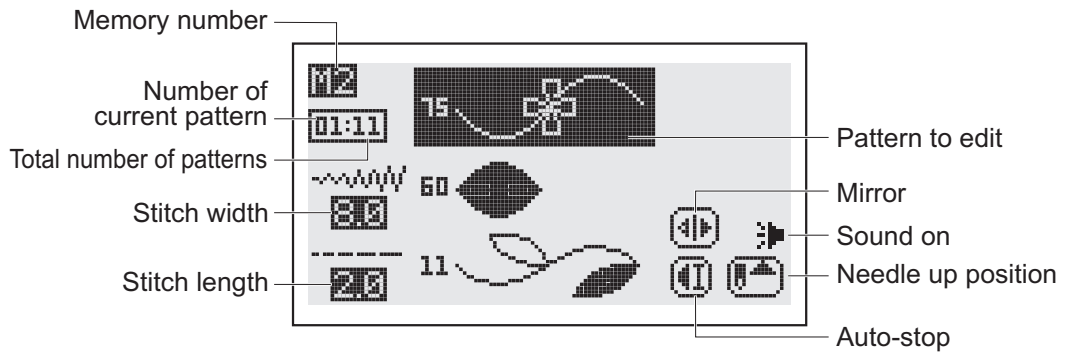
 See page 14

■ Number buttons

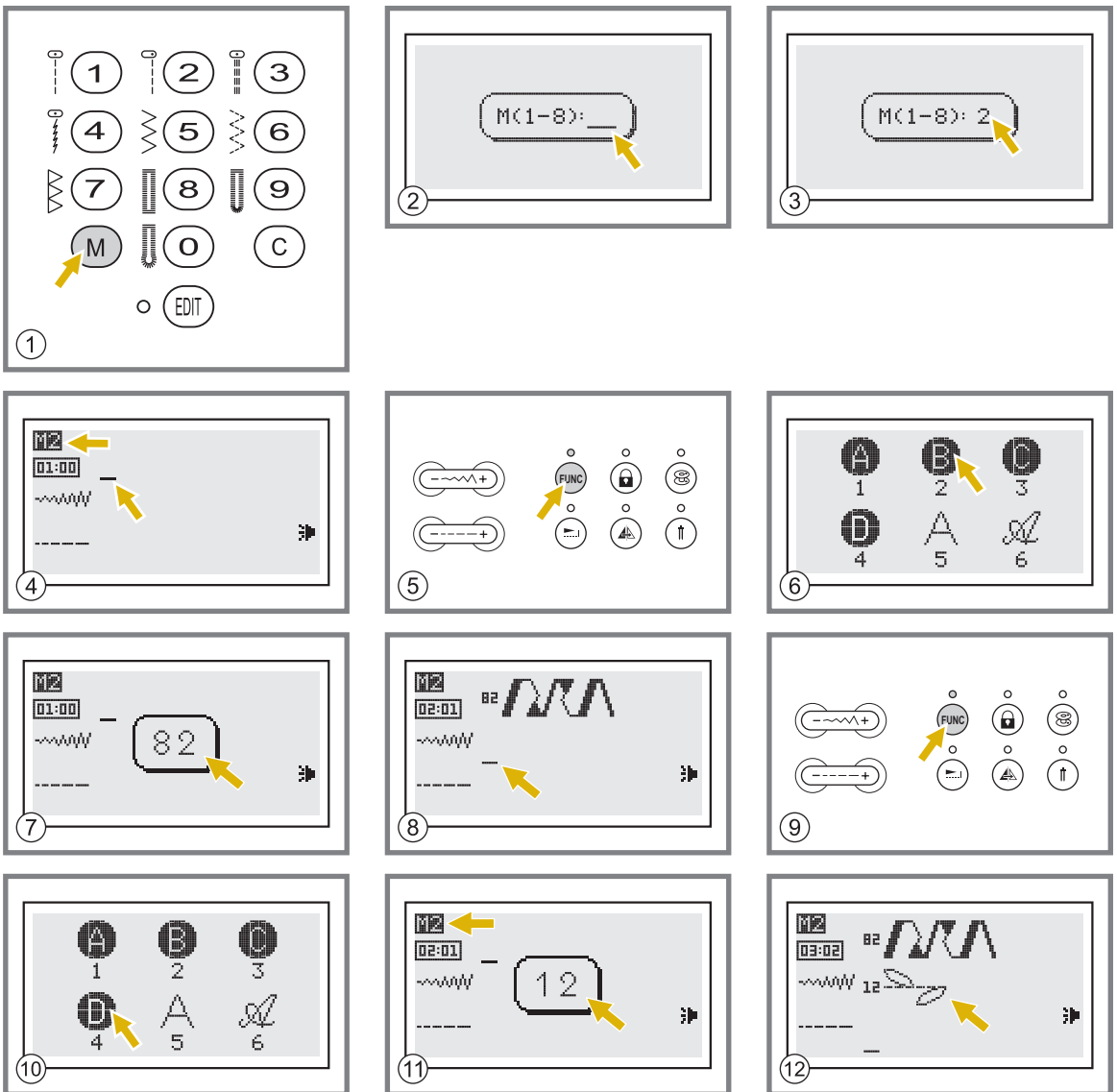


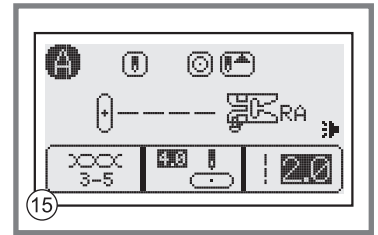
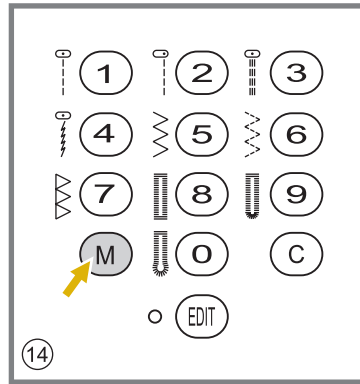
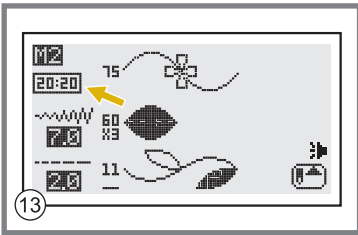
 See page 14-15

MEMORY FUNCTION

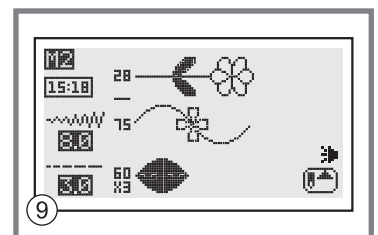
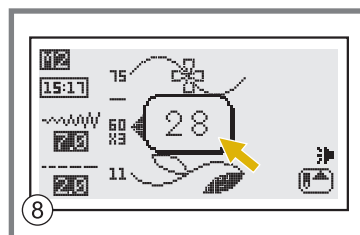
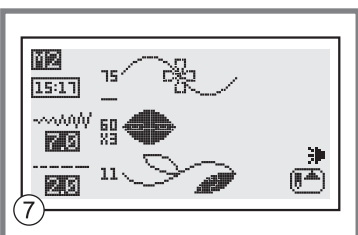
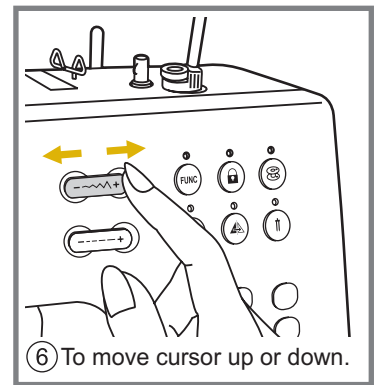
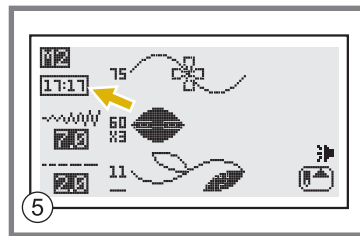
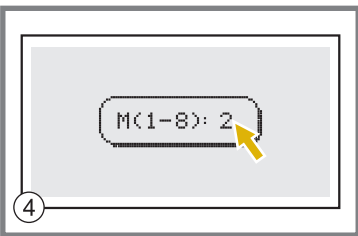
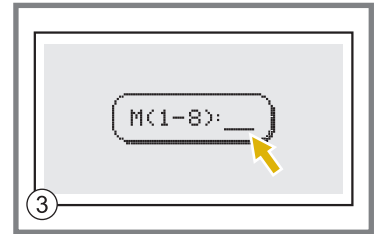
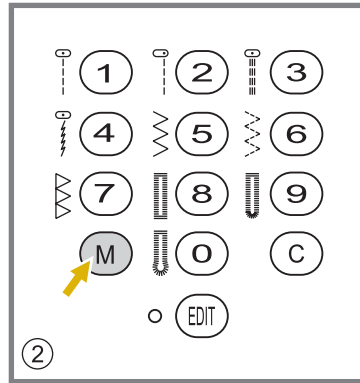
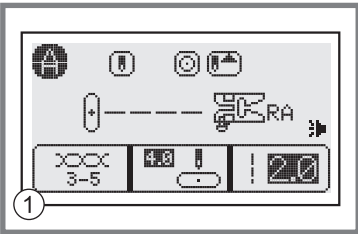


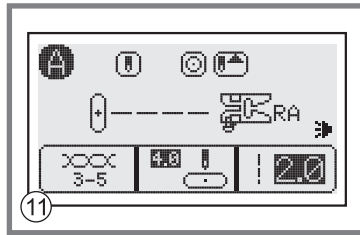
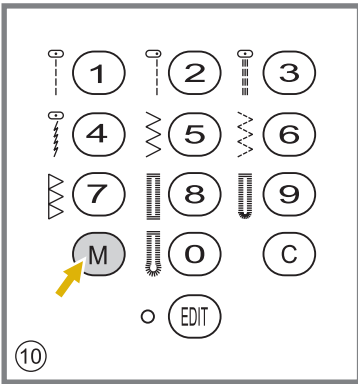
Combining patterns or letters



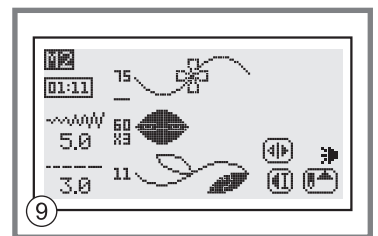
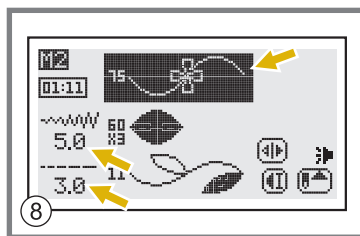
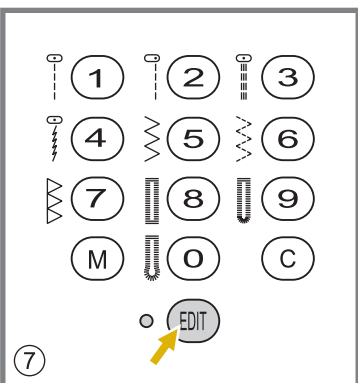
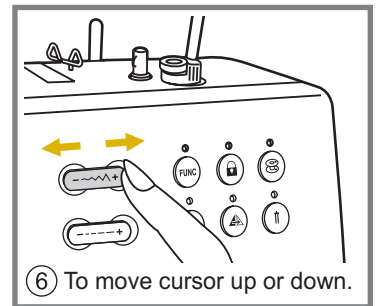
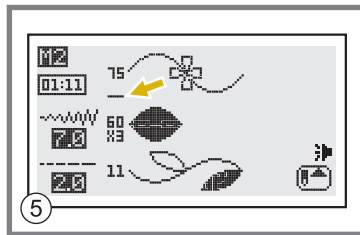
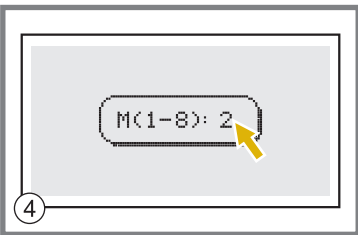
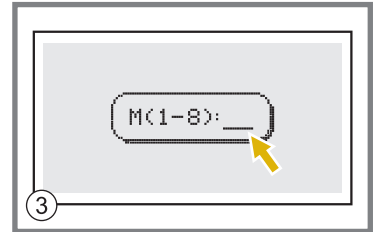
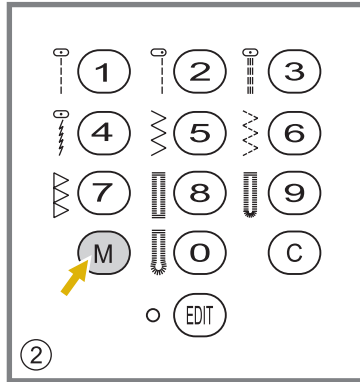
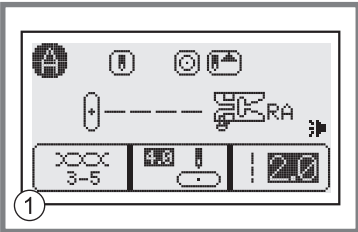


■ Adding patterns or letters

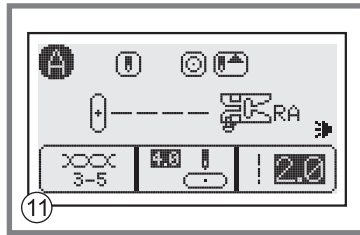
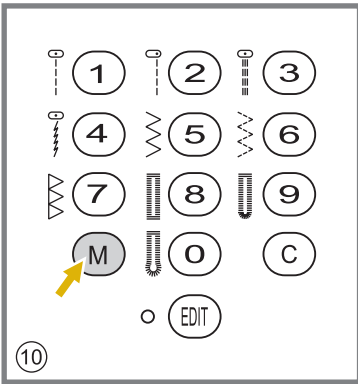




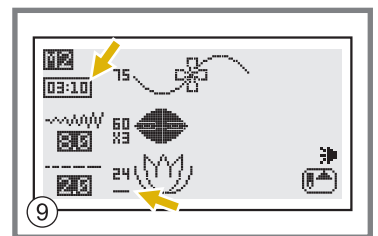
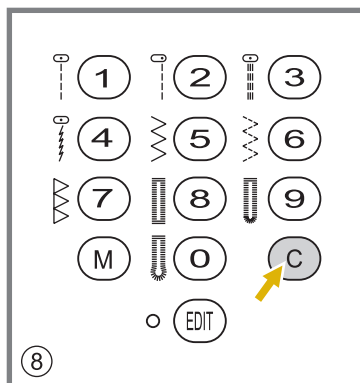
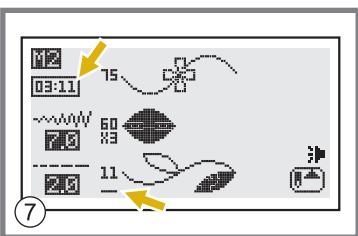
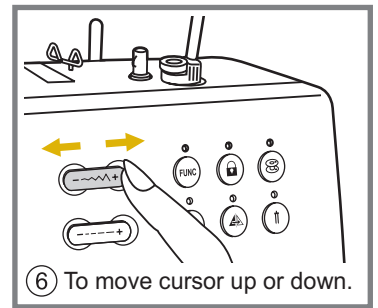
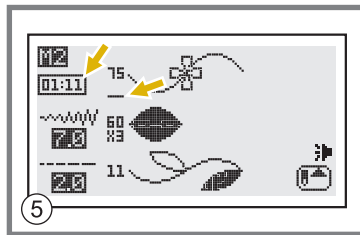
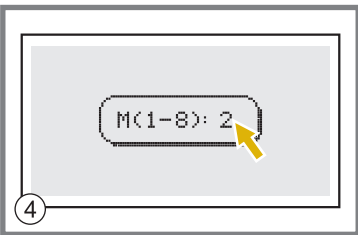
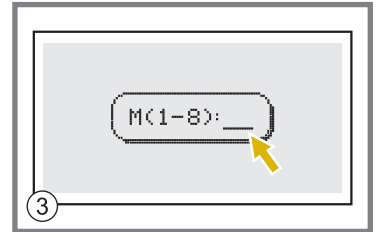
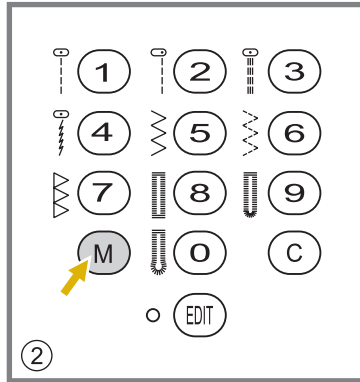
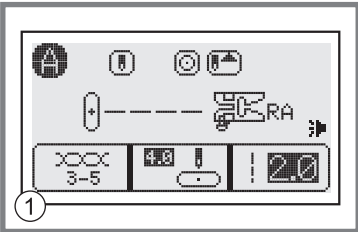
■ Editing patterns

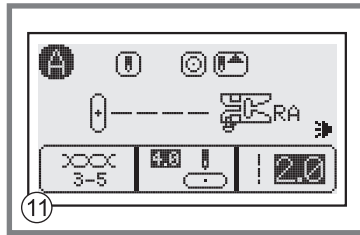
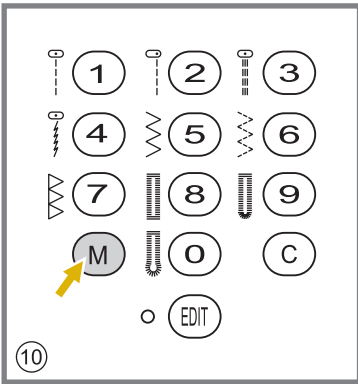


Press the "EDIT" button again to return to the browse status.

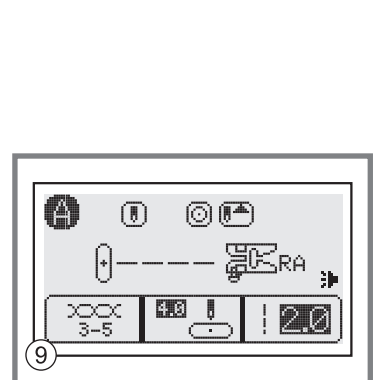
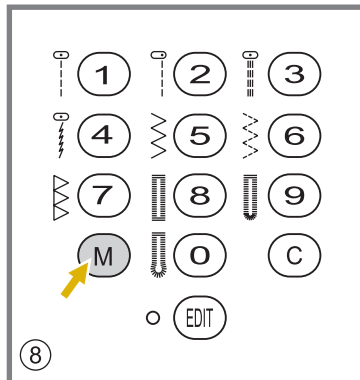
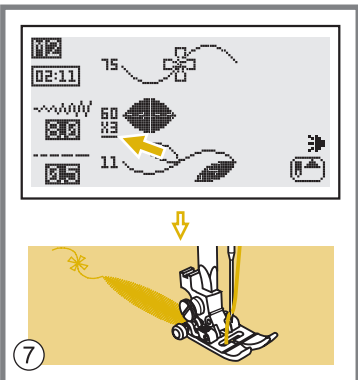
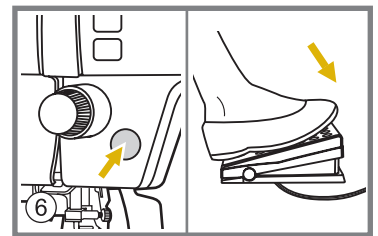
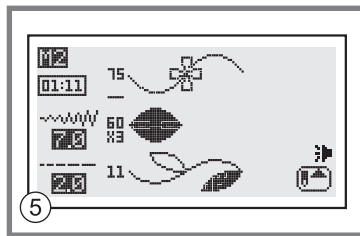
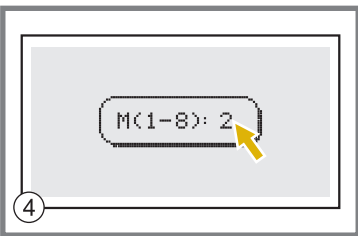
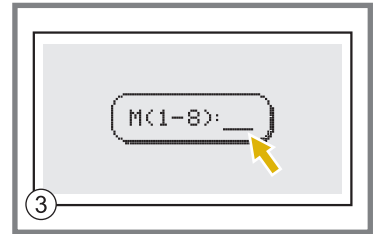
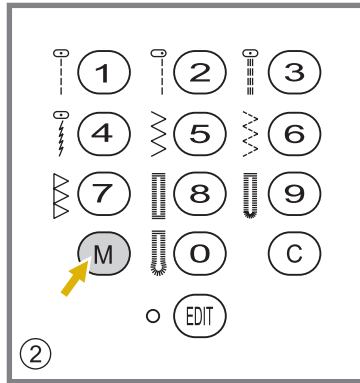
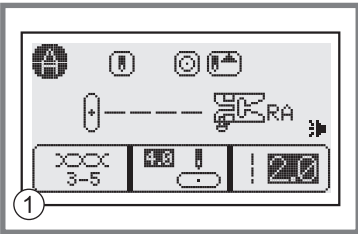


■ Clearing patterns or letters





■ Recalling and sewing the memorized pattern



SAVE PATTERN'S MEMO

■ Save patterns

M-1

M-2

M-3

M-4

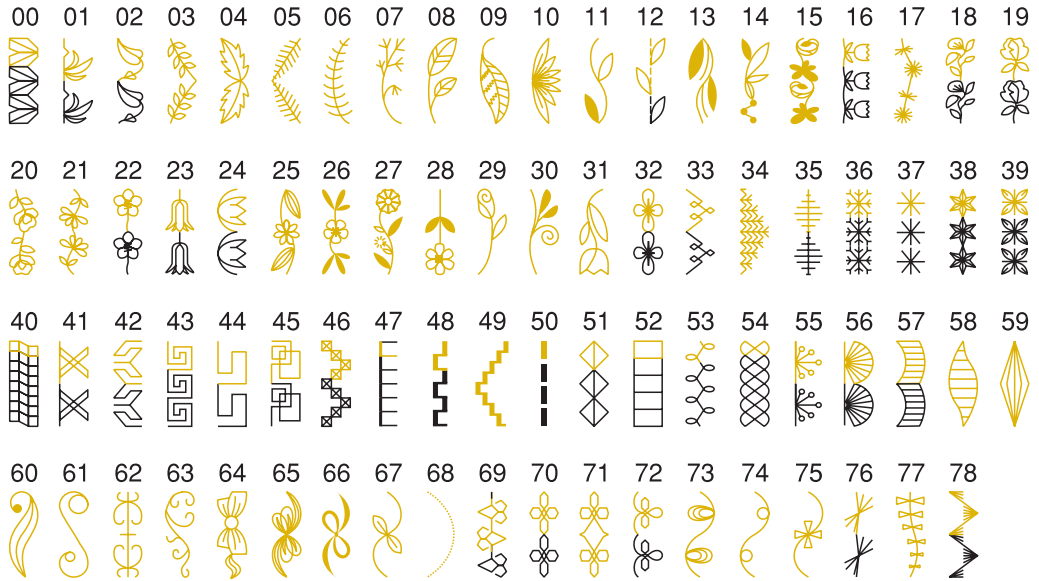
M-5

M-6

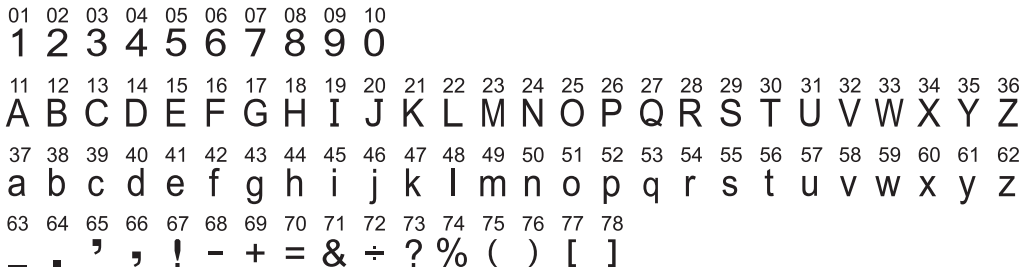
M-7

M-8

Group 4-D Patterns-79



Block style group "A" patterns-78



Script style group "A" patterns-78

